

इंटरनेट

मानक

### Disclosure to Promote the Right To Information

Whereas the Parliament of India has set out to provide a practical regime of right to information for citizens to secure access to information under the control of public authorities, in order to promote transparency and accountability in the working of every public authority, and whereas the attached publication of the Bureau of Indian Standards is of particular interest to the public, particularly disadvantaged communities and those engaged in the pursuit of education and knowledge, the attached public safety standard is made available to promote the timely dissemination of this information in an accurate manner to the public.

“जानने का अधिकार, जीने का अधिकार”

Mazdoor Kisan Shakti Sangathan

“The Right to Information, The Right to Live”

“पुराने को छोड़ नये के तरफ”

Jawaharlal Nehru

“Step Out From the Old to the New”

IS 11162-3 (1985): Dimensions of non-insulated terminal tags for electronic equipment, Part 3: Type 3 [LITD 3: Electromechanical Components and Mechanical Structures for Electronic Equipment]



“ज्ञान से एक नये भारत का निर्माण”

Satyanarayan Gangaram Pitroda

“Invent a New India Using Knowledge”



“ज्ञान एक ऐसा खजाना है जो कभी चुराया नहीं जा सकता है”

Bhartrhari—Nitiśatakam

“Knowledge is such a treasure which cannot be stolen”



BLANK PAGE



Indian Standard

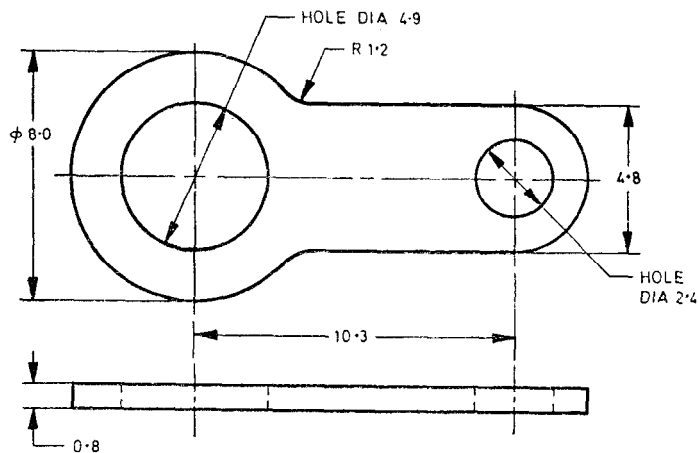


# DIMENSIONS OF NON-INSULATED TERMINAL TAGS FOR ELECTRONIC EQUIPMENT

## PART 3 TYPE 3

1. **Scope** — Covers dimensions of Type 3 terminal tags.

2. **Dimensions** — See Fig. 1.



Material : Brass.

Finish : Hot Tin Dipped.

FIG. 1 TERMINAL TAG, TYPE 3

Note 1 — All dimensions in millimeters.

Note 2 — Tolerance for holes  $\begin{matrix} +0.08 \\ -0.03 \end{matrix}$  mm.

Note 3 — Unless otherwise specified, tolerance is  $\pm 0.15$  mm.